

Q-SERIES COVERAGE INFORMATION

HOW TO INSTALL

TS-Q160C-VW / TS-Q160F-VW

Be sure to read this instruction manual before installing this speaker.

The following data is based on Pioneer's vehicle research and is provided as a guideline only.

These installation guidelines are intended to be strictly recommendations and are not complete installation instructions.

■ Speaker installation coverage

(Symbol)

✓	It is possible to install the speaker.
N/A	Installation is not possible or recommended.

Information as of March 2026

MAKE	MODEL	MODEL YEAR	FRONT DOOR			REAR DOOR		
			TS-Q160C-VW	TS-Q160F-VW	Remarks	TS-Q160C-VW	TS-Q160F-VW	Remarks
Audi	A2	2000 - 2005	✓	N/A		N/A	✓	
	Q4 e-tron	2021 - present	✓	N/A		N/A	N/A	
Cupra	Born	2021 - 2024	✓	N/A		N/A	N/A	
SEAT	Altea	2004 - 2015	✓	N/A		N/A	N/A	
	Altea XL	2006 - 2015	✓	N/A		N/A	N/A	
	Arona	2017 - present	✓	N/A		N/A	✓	
	Arosa	1997 - 2004	✓	N/A		N/A	N/A	
	Córdoba II	2002 - 2009	✓	N/A		N/A	✓	
	Ibiza III	2002 - 2008	N/A	N/A		N/A	✓	
	Ibiza V	2018 - present	✓	N/A		✓	N/A	
	León I	1999 - 2005	✓	N/A		N/A	✓	
	León II	2005 - 2012	N/A	N/A		N/A	✓	
	Mii	2011 - 2021	✓	N/A		N/A	N/A	
	Toledo II	1999 - 2004	✓	N/A		N/A	✓	
	Toledo III	2004 - 2009	✓	N/A		N/A	✓	
	Toledo IV	2012 - 2019	✓	N/A		N/A	✓	
ŠKODA	Citigo	2011 - 2021	✓	✓		N/A	N/A	
	Enyaq	2020 - present	✓	N/A		N/A	✓	
	Enyaq Coupe	2022 - present	✓	N/A		N/A	✓	
	Fabia I	1999 - 2009	✓	N/A		N/A	✓	
	Fabia II	2007 - 2014	✓	N/A		✓	✓	
	Fabia III	2014 - 2022	✓	N/A		✓	✓	
	Fabia IV	2021 - present	N/A	N/A		N/A	✓	
	Kushaq	2021 - present	✓	N/A		✓	✓	
	Octavia I	1996 - 2004	✓	N/A		N/A	N/A	
	Octavia II	2004 - 2013	N/A	N/A		N/A	✓	
	Octavia II Combi	2004 - 2013	N/A	N/A		N/A	✓	
	Rapid	2012 - 2020	✓	N/A		N/A	✓	
	Roomster	2006 - 2015	✓	N/A		✓	✓	
	Slavia	2022 - present	✓	N/A		✓	✓	
	Superb II	2008 - 2015	N/A	N/A		N/A	✓	
	Yeti I	2009 - 2013	✓	N/A		✓	✓	
	Yeti II	2013 - 2017	N/A	N/A		N/A	✓	
Volkswagen	Amarok	2010 - 2016	✓	N/A		N/A	✓	
	Amarok	2016 - 2020	✓	N/A		N/A	✓	
	Arteon	2017 - 2023	N/A	N/A		✓	N/A	
	Arteon Shooting Brake	2020 - 2024	N/A	N/A		✓	N/A	
	Atlas	2017 - present	N/A	N/A		✓	✓	

TS-Q160C-VW / TS-Q160F-VW

(Symbol)

✓	It is possible to install the speaker.
N/A	Installation is not possible or recommended.

MAKE	MODEL	MODEL YEAR	FRONT DOOR			REAR DOOR		
			TS-Q160C-VW	TS-Q160F-VW	Remarks	TS-Q160C-VW	TS-Q160F-VW	Remarks
Volkswagen	Atlas Cross Sport	2020 - present	N/A	N/A		✓	✓	
	Bora I	1999 - 2006	✓	N/A		N/A	✓	
	Bora I Variant	2001 - 2006	✓	N/A		N/A	✓	
	Bora II	2005 - 2011	N/A	N/A		N/A	✓	
	C-Trek	2016 - 2018	✓	N/A		N/A	✓	
	Caddy V	2020 - present	✓	N/A		N/A	N/A	
	Crafter II	2017 - present	✓	N/A		N/A	N/A	
	Eos	2006 - 2016	N/A	N/A		✓	✓	
	Golf IV	1997 - 2006	N/A	✓		N/A	✓	
	Golf IV Variant	1999 - 2006	N/A	✓		N/A	✓	
	Golf V	2003 - 2009	N/A	N/A		✓	✓	
	Golf VI	2008 - 2013	✓	N/A		✓	✓	
	Golf VII	2012 - 2020	✓	N/A		✓	✓	
	Golf VII Alltrack	2016 - 2020	✓	N/A		✓	✓	
	Golf VIII	2019 - present	✓	N/A		✓	✓	
	Golf Sportsvan	2014 - 2020	✓	N/A		✓	✓	
	ID.3	2019 - present	✓	N/A		N/A	N/A	
	ID.4	2020 - present	✓	N/A		N/A	N/A	
	ID.5	2022 - present	✓	N/A		N/A	✓	
	ID.6 Crozz	2021 - present	✓	N/A		N/A	✓	
	ID.6 X	2021 - present	✓	N/A		N/A	✓	
	ID.7	2023 - present	N/A	N/A		N/A	✓	
	ID.7 Shooting Brake	2024 - present	N/A	N/A		N/A	✓	
	ID. Buzz	2022 - present	✓	N/A		N/A	N/A	
	ID. Buzz Cargo	2022 - present	✓	N/A		N/A	N/A	
	Jetta V	2005 - 2011	N/A	N/A		✓	✓	
	Jetta VI	2010 - 2018	✓	N/A		✓	✓	
	Jetta VII	2018 - present	✓	N/A		✓	✓	
	Lavida I	2008 - 2012	✓	N/A		✓	✓	
	Lavida II	2012 - 2018	✓	N/A		✓	✓	
	Lavida Plus	2018 - 2022	✓	N/A		✓	✓	
	Lamando	2014 - 2022	✓	N/A		✓	✓	
	Lupo	1998 - 2005	✓	✓		N/A	N/A	
	Magotan III	2016 - 2024	N/A	N/A		✓	✓	
	New Beetle Convertible	2003 - 2010	N/A	N/A		N/A	✓	
	Beetle	2011 - 2016	N/A	N/A		✓	✓	
	Beetle	2017 - 2019	N/A	N/A		N/A	✓	
	Nivus	2020 - present	✓	N/A		N/A	✓	
	Passat Variant	1996 - 2005	✓	N/A		N/A	✓	
	Passat	2014 - 2021	N/A	N/A		✓	✓	
	Polo IV	2001 - 2010	✓	N/A		N/A	✓	
Polo V	2009 - 2017	✓	N/A		N/A	✓		
Polo VI	2017 - present	✓	N/A		N/A	✓		
Sagitar II	2010 - 2018	✓	N/A		N/A	✓		
Sagitar III	2018 - present	✓	N/A		N/A	✓		
Santana III	2012 - 2022	✓	N/A		N/A	✓		
Scirocco III	2008 - 2017	✓	N/A		N/A	✓		
T5 Multivan	2003 - 2015	N/A	N/A		N/A	✓		

TS-Q160C-VW / TS-Q160F-VW

(Symbol)

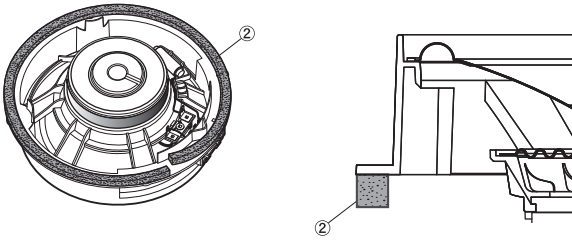
✓	It is possible to install the speaker.
N/A	Installation is not possible or recommended.

MAKE	MODEL	MODEL YEAR	FRONT DOOR			REAR DOOR		
			TS-Q160C-VW	TS-Q160F-VW	Remarks	TS-Q160C-VW	TS-Q160F-VW	Remarks
Volkswagen	T6 Multivan	2015 - 2018	N/A	N/A		N/A	✓	
	T6.1 Multivan	2019 - 2024	✓	✓		N/A	✓	
	Taos	2021 - present	✓	N/A		✓	✓	
	Tacqua	2019 - present	✓	N/A		✓	✓	
	Taigo	2020 - present	✓	N/A		N/A	✓	
	Taigun	2021 - present	✓	N/A		N/A	✓	
	Teramont	2017 - present	N/A	N/A		✓	✓	
	Teramont X	2020 - present	N/A	N/A		✓	✓	
	Tayron	2019 - present	N/A	N/A		✓	✓	
	Tharu	2018 - present	✓	N/A		N/A	✓	
	Tiguan I	2007 - 2018	N/A	N/A		✓	✓	
	Tiguan II	2016 - 2024	N/A	N/A		✓	✓	
	Tiguan X	2022 - 2024	N/A	N/A		✓	✓	
	Touran I	2003 - 2015	N/A	N/A		✓	✓	
	Touran II	2016 - present	N/A	N/A		✓	✓	
	T-Cross	2019 - present	✓	N/A		N/A	✓	
	T-Roc	2017 - 2025	✓	N/A		N/A	✓	
	T-Roc Cabriolet	2020 - 2025	✓	N/A		N/A	✓	
	Up	2011 - 2023	✓	✓		N/A	✓	
	Up E-Up	2019 - 2023	✓	✓		N/A	✓	
	Vento	2010 - 2018	✓	N/A		N/A	✓	
	Virtus	2018 - present	✓	N/A		N/A	✓	
	TGE Single Cab	2017 - present	✓	N/A		N/A	N/A	
TGE Double Cab	2017 - present	✓	N/A		N/A	✓		

TS-Q160C-VW / TS-Q160F-VW

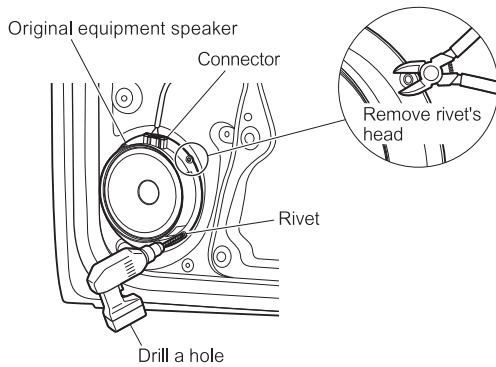
■ Woofer installation procedure

1. Preparation Before Installation



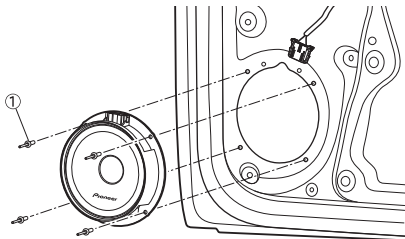
- Attach the included vibration-damping cushion ② to the back of the speaker.

2. Remove original equipment speaker

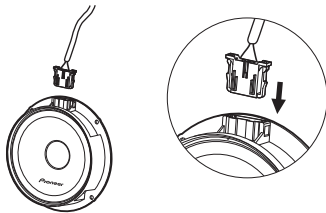


- Remove the original connector.
- Drill a hole in the center of the rivet or remove the head of rivet using the appropriate tool, then take the speaker out.
- ⚠ Removed rivets can not be reused.
To prevent abnormal noise, please collect any rivet fragments after removal.

3. Installing speaker

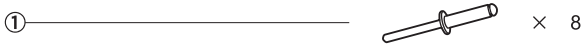


- Attach the speaker to the vehicle using the included rivets ①.
※ Use a rivet fixing tool



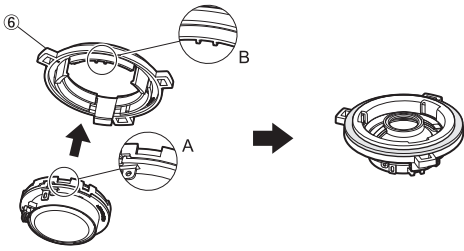
- Connect the speaker to the original connector.

■ Woofer parts included



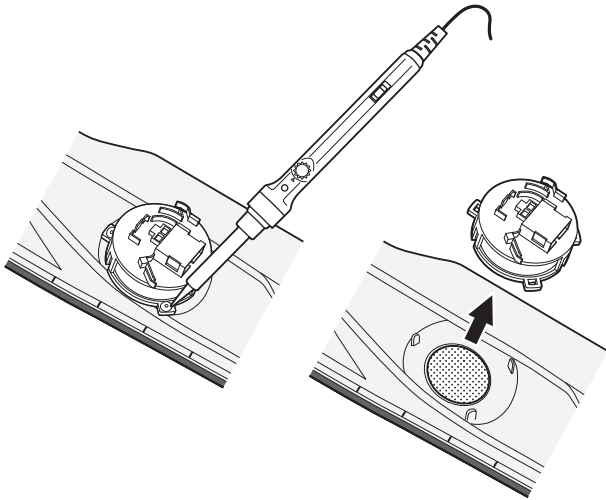
■ Tweeter installation procedure

1. Preparation Before Installation



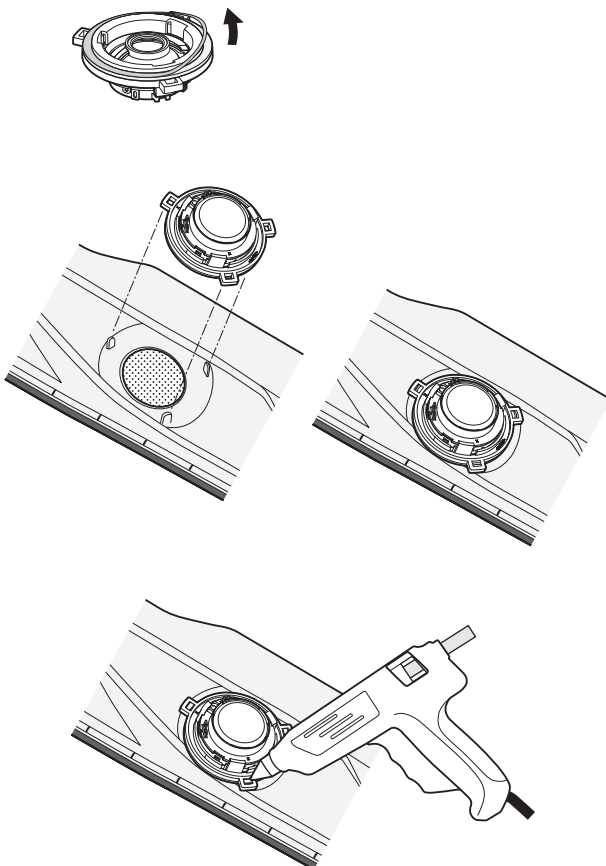
- Attach included bracket ⑥ to the tweeter.
Align groove A of the tweeter with groove B of the bracket ⑥ and snap it into place.

2. Remove original equipment speaker



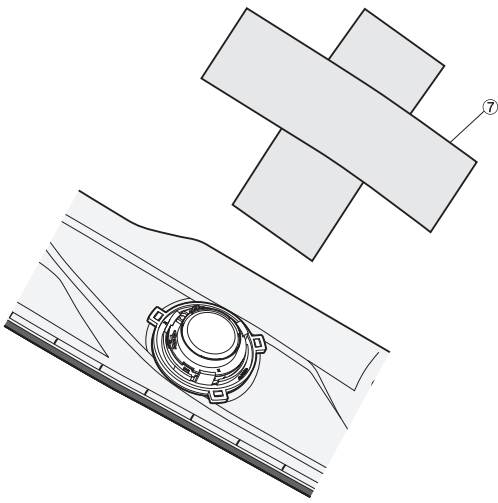
- Remove the original connector.
- Heat the tweeter mounting points on the original tweeter mounting bracket to remove the tweeter.

3. Installing tweeter



- Peel off the release paper from the cushion on the tweeter bracket.
- Align the mounting pins of the original tweeter with the tweeter bracket.
⚠ Before installing, thoroughly wipe off any dust, oil, or moisture from the surface.

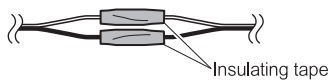
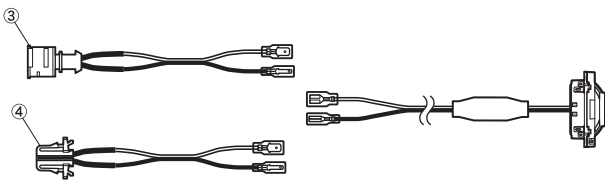
※ For a more secure installation, it is advised to use a hot glue gun.



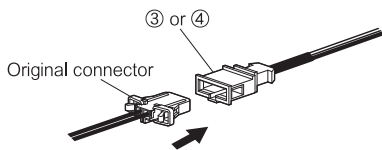
- Attach the included cushion ⑦ as shown in the diagram on the left and secure the tweeter.

⚠ Be sure to apply the cushion ⑦ according to the instructions. If you don't attach the cushion ⑦, the tweeter may come off.

Select the included cord ③ or cord ④ to match the connector of the original tweeter, and connect it to the tweeter's cord.

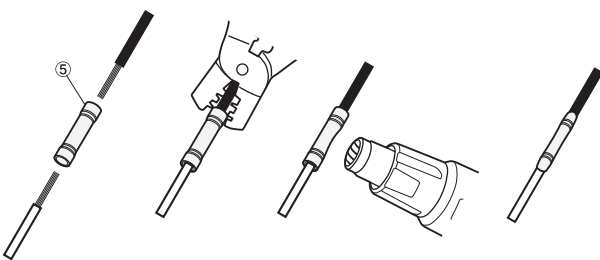


⚠ Ensure the connection terminals are covered with an insulating cover. Secure the cover with insulating tape to prevent it from coming loose. Contact between the terminal and any metal part of the vehicle may cause fire or malfunction.

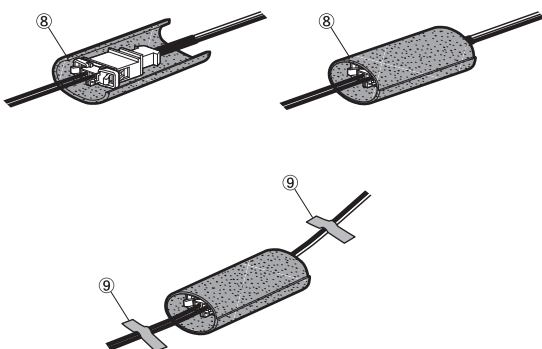


- Connect the included connector (③ or ④) to the original connector.

※ If the included connector does not fit.



- Cut the wires on both the vehicle side and the tweeter side, and strip the insulation. Check the polarity before cutting.
- Insert the wires from the vehicle side and the tweeter side, with matched polarity, into the included wiring connector ⑤. Crimp the wires on the vehicle side and the tweeter side, and make sure they are securely connected.
- Heat the included wiring connector ⑤ with a heat gun and seal it.



- Wrap the connector with the included cushion ⑧.

- Secure the cord as needed using the included cushion ⑨.

■ Tweeter parts included

