

Q-SERIES COVERAGE INFORMATION

HOW TO INSTALL

TS-Q160C-PC / TS-Q160F-PC

Be sure to read this instruction manual before installing this speaker.

The following data is based on Pioneer's vehicle research and is provided as a guideline only.

These installation guidelines are intended to be strictly recommendations and are not complete installation instructions.

■ Speaker installation coverage

(Symbol)

| | |
|-----|--|
| ✓ | It is possible to install the speaker. |
| N/A | Installation is not possible or recommended. |

Information as of March 2026

| MAKE | MODEL | MODEL YEAR | FRONT DOOR | | | REAR DOOR | | |
|-----------------|-----------------------|----------------|-------------|-------------|---------|-------------|-------------|---------------|
| | | | TS-Q160C-PC | TS-Q160F-PC | Remarks | TS-Q160C-PC | TS-Q160F-PC | Remarks |
| CITROËN | Berlingo III (Phase3) | 2015 - 2018 | ✓ | ✓ | | N/A | ✓ | |
| | C3 III | 2016 - present | ✓ | N/A | | N/A | ✓ | |
| | C3 Aircross | 2017 - 2024 | ✓ | N/A | ※1 | N/A | ✓ | |
| | C3 Picasso | 2009 - 2017 | N/A | ✓ | | N/A | N/A | 13 cm/5" size |
| | C4 II | 2010 - 2018 | ✓ | N/A | | N/A | ✓ | |
| | C4 Cactus | 2014 - 2018 | ✓ | N/A | | N/A | ✓ | |
| | C4 Cactus II | 2018 - 2020 | ✓ | N/A | | N/A | ✓ | |
| | C4 Picasso I | 2006 - 2013 | ✓ | N/A | | N/A | ✓ | |
| | C4 Picasso II | 2013 - 2018 | ✓ | ✓ | | N/A | ✓ | |
| | C4 SpaceTourer | 2018 - 2020 | ✓ | N/A | ※1 | N/A | ✓ | |
| | Grand C4 Picasso II | 2013 - 2018 | ✓ | N/A | ※1 | N/A | ✓ | |
| | Grand C4 SpaceTourer | 2018 - 2022 | ✓ | N/A | ※1 | N/A | ✓ | |
| | C5 II | 2008 - 2019 | ✓ | N/A | | N/A | ✓ | |
| | C5 Aircross | 2017 - present | ✓ | N/A | | N/A | ✓ | |
| | Jumpy | 2016 - present | ✓ | N/A | | N/A | N/A | |
| SpaceTourer | 2016 - present | ✓ | N/A | | N/A | ✓ | | |
| DS Automobile | DS3 Crossback | 2018 - 2022 | ✓ | ✓ | | ✓ | ✓ | |
| | DS4 Crossback | 2015 - 2018 | ✓ | ✓ | | ✓ | ✓ | |
| | DS4 | 2011 - 2018 | ✓ | ✓ | | N/A | ✓ | |
| | DS5 | 2011 - 2018 | ✓ | N/A | | N/A | ✓ | |
| | DS7 Crossback | 2018 - 2022 | ✓ | N/A | | ✓ | ✓ | |
| | DS9 | 2020 - 2024 | ✓ | N/A | | ✓ | ✓ | |
| FIAT | Nuovo Scudo | 2016 - 2021 | ✓ | ✓ | | N/A | N/A | |
| | Scudo | 2022 - present | ✓ | ✓ | | N/A | N/A | |
| | Ulysse | 2022 - present | ✓ | ✓ | | N/A | N/A | |
| Opel / VAUXHALL | Combo E | 2018 - present | ✓ | N/A | ※1 | N/A | ✓ | |
| | Corsa F | 2019 - present | ✓ | N/A | | N/A | ✓ | |
| | Grandland X | 2017 - 2024 | ✓ | N/A | ※1 | N/A | ✓ | |
| | Mokka B | 2021 - present | ✓ | N/A | | N/A | ✓ | |
| | Mokka-e | 2022 - present | ✓ | N/A | | N/A | ✓ | |
| | Vivaro | 2019 - present | ✓ | ✓ | | N/A | N/A | |
| | Zafira Life | 2019 - present | ✓ | ✓ | | N/A | ✓ | |
| PEUGEOT | 206 | 1998 - 2012 | N/A | ✓ | | N/A | N/A | |
| | 206+ | 2009 - 2012 | ✓ | ✓ | | N/A | N/A | |
| | 207 | 2006 - 2015 | N/A | ✓ | | N/A | ✓ | |
| | 208 I 3Doors | 2012 - 2019 | ✓ | ✓ | | N/A | ✓ | |
| | 208 I 5Doors | 2012 - 2019 | ✓ | ✓ | | ✓ | ✓ | |
| | 208 II 5Doors | 2019 - present | ✓ | ✓ | | ✓ | ✓ | |

TS-Q160C-PC / TS-Q160F-PC

(Symbol)

| | |
|-----|--|
| ✓ | It is possible to install the speaker. |
| N/A | Installation is not possible or recommended. |

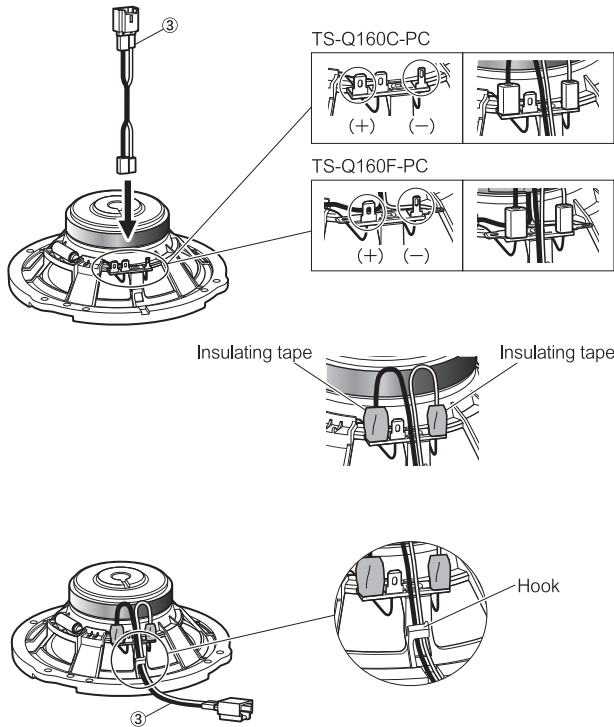
| MAKE | MODEL | MODEL YEAR | FRONT DOOR | | | REAR DOOR | | |
|----------|-------------------|----------------|-------------|-------------|---------|-------------|--------------|---------------|
| | | | TS-Q160C-PC | TS-Q160F-PC | Remarks | TS-Q160C-PC | TS-Q160F-PC | Remarks |
| PEUGEOT | e-208 5Doors | 2019 - present | ✓ | ✓ | | ✓ | ✓ | |
| | 307 | 2001 - 2008 | ✓ | N/A | | N/A | N/A | 13 cm/5" size |
| | 308 I | 2007 - 2013 | ✓ | N/A | | N/A | N/A | 13 cm/5" size |
| | 308 I CC | 2008 - 2015 | ✓ | N/A | | N/A | N/A | 6" × 9" size |
| | 308 II | 2013 - 2021 | ✓ | ✓ | | ✓ | ✓ | |
| | 308 II SW | 2013 - 2021 | ✓ | ✓ | | ✓ | ✓ | |
| | 407 | 2004 - 2011 | ✓ | ✓ | | ✓ | ✓ | |
| | 407 Coupe | 2005 - 2011 | ✓ | ✓ | | ✓ | ✓ | |
| | 408 | 2022 - present | ✓ | N/A | | N/A | ✓ | |
| | 508 I | 2011 - 2018 | ✓ | N/A | ※1 | N/A | ✓ | |
| | 508 I SW | 2011 - 2018 | ✓ | N/A | ※1 | N/A | ✓ | |
| | 508 RXH | 2012 - 2018 | ✓ | N/A | ※1 | N/A | ✓ | |
| | 508 II | 2018 - 2022 | ✓ | ✓ | | ✓ | ✓ | |
| | 508 II SW | 2018 - 2022 | ✓ | ✓ | | ✓ | ✓ | |
| | 508 II (Phase2) | 2023 - 2025 | ✓ | ✓ | | ✓ | ✓ | |
| | 508 II SW(Phase2) | 2023 - 2025 | ✓ | ✓ | | ✓ | ✓ | |
| | 2008 I | 2013 - 2019 | ✓ | ✓ | | ✓ | ✓ | |
| | 2008 II | 2019 - present | ✓ | ✓ | | ✓ | ✓ | |
| | e-2008 | 2020 - present | ✓ | ✓ | | ✓ | ✓ | |
| | 3008 II | 2016 - 2024 | ✓ | ✓ | | ✓ | ✓ | |
| | 5008 | 2017 - 2024 | ✓ | ✓ | | ✓ | ✓ | |
| | Expert | 2017 - present | ✓ | ✓ | | N/A | N/A | |
| | Partner | 2018 - present | ✓ | N/A | ※1 | N/A | N/A | |
| RCZ | 2009 - 2015 | ✓ | N/A | | N/A | N/A | 6" × 9" size | |
| Rifter | 2018 - present | ✓ | N/A | ※1 | N/A | ✓ | | |
| Traveler | 2016 - present | ✓ | ✓ | | ✓ | ✓ | | |
| TOYOTA | Proace | 2016 - present | ✓ | ✓ | | N/A | N/A | |
| | Proace Verso | 2016 - present | ✓ | N/A | | N/A | ✓ | |

※1 : The rear of the speaker interferes with the vehicle body, so a separate 1.7 cm spacer is required.

TS-Q160C-PC / TS-Q160F-PC

■ Woofer installation procedure

1. Preparation Before Installation



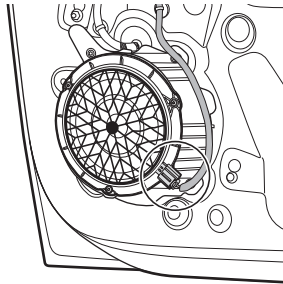
- Attach the included connector cord ③ to the speaker. The connection methods differ between TS-Q160C-PC and TS-Q160F-PC, so please refer to the diagram on the left.

⚠ Firmly insert the connector into the speaker terminal. After insertion, pulling out the connector may cause a malfunction. Check the connection points thoroughly before carrying out any work.

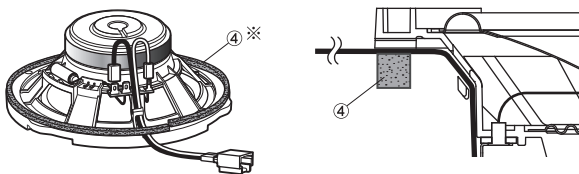
⚠ Ensure the connection terminals are covered with an insulating cover. Secure the cover with insulating tape to prevent it from coming loose. Contact between the terminal and any metal part of the vehicle may cause fire or malfunction.

- Attach the supplied connector cord ③ to the hook on the speaker basket and secure it in place.

Check how the original speaker cord is connected. The installation method for the next cushion varies depending on the position of the cord.

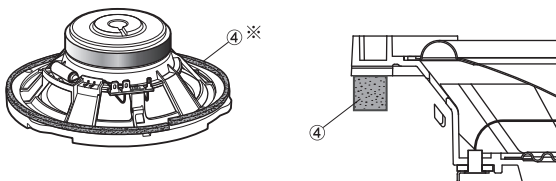


A : If the original speaker cord is exposed on the exterior of the vehicle body



- Align the cord along the groove of the speaker basket and attach the included vibration-damping cushion ④ on top of the cord.
- ⚠ If the cord is aligned with the groove, gaps may form. In such cases, take additional steps to prevent air leaks and ensure the assembly is waterproof.

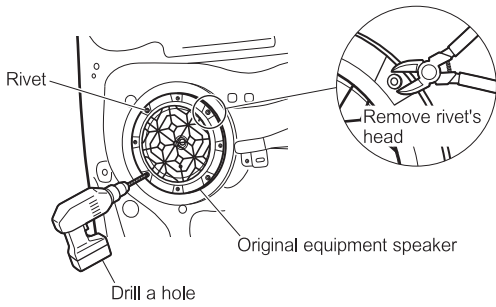
B : If the original speaker cord is not visible on the exterior of the vehicle body, it is connected to the speaker from inside the vehicle body.



- Attach the included vibration-damping cushion ④ to the back of the speaker.

※ When fitting cushion ④, ensure the seam is positioned on top, as shown in the illustration on the left.

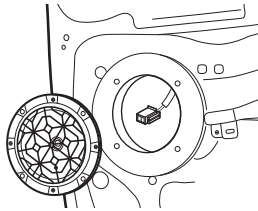
2. Remove original equipment speaker



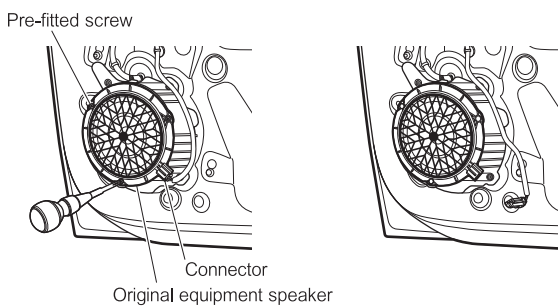
〈In the case of using rivets〉

- Drill a hole in the center of the rivet or remove the head of rivet using the appropriate tool, then take the speaker out.

⚠ Removed rivets can not be reused. To prevent abnormal noise, please collect any rivet fragments after removal.



- Remove the original connector.

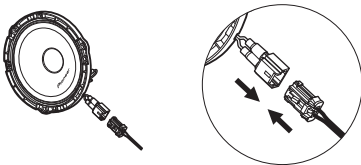


〈In the case of using screws〉

- After removing the pre-fitted screws with the appropriate tool, remove the speaker.

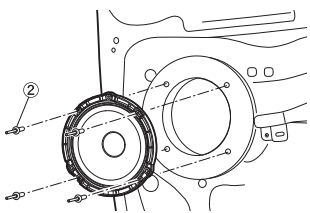
- Remove the original connector.

3. Installing speaker



- Connect the speaker to the original connector.

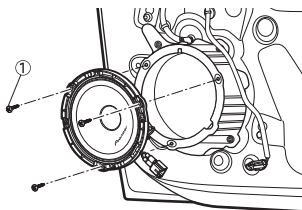
When installing the speaker, use the pre-fitted screws or the included rivets ② or screws ①.



〈In the case of using rivets〉

- Attach the speaker to the vehicle using the included rivets ②.

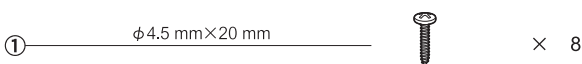
※ Use a rivet fixing tool



〈In the case of using screws〉

- Attach the speaker to the vehicle using the included screws ① or pre-fitted screws.

■ Woofer parts included

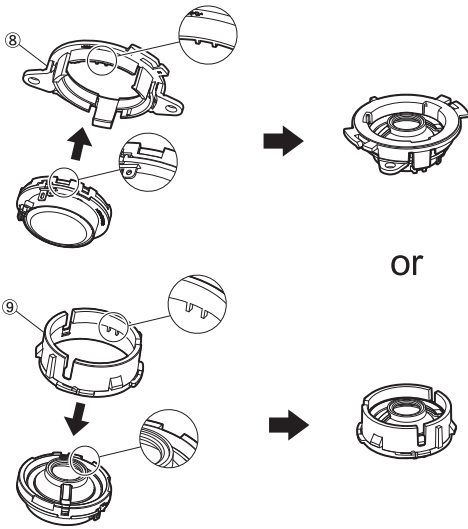


TS-Q160C-PC

■ Tweeter installation procedure

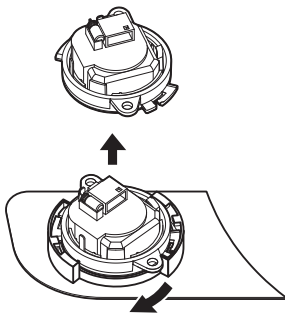
1. Preparation Before Installation

Use the included brackets according to the vehicle you are installing it on. The method for attaching the bracket to the tweeter is the same.



- Attach included bracket ⑧ or ⑨ to the tweeter.
Align the tweeter groove with the bracket and snap it into place.

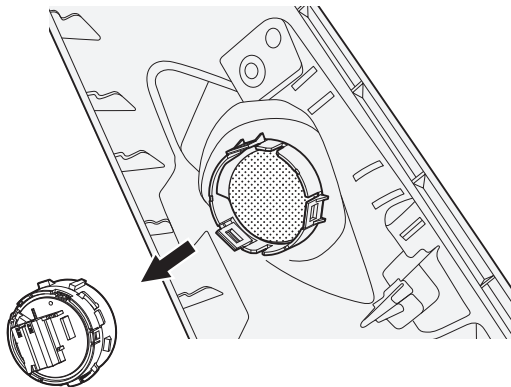
2. Remove original equipment speaker



- Remove the original connector.

A : If the shape of the original tweeter matches the included bracket ⑧

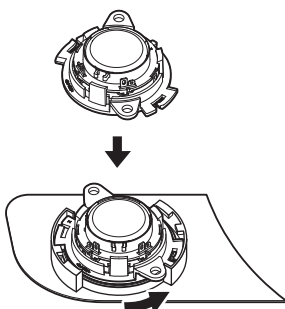
- When removing the original tweeter, press it in and turn it clockwise.



B : If the shape of the original tweeter matches the included bracket ⑨

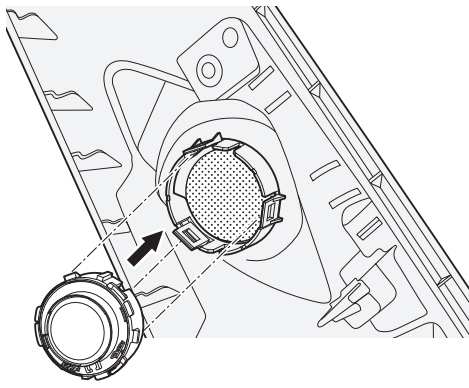
- When removing the original tweeter, use the appropriate tool to detach it.

3. Installing tweeter



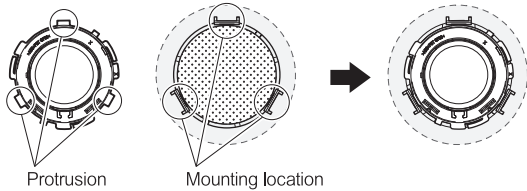
A : When using included bracket ⑧

- To install the tweeter, place it in the appropriate position and turn it counterclockwise.

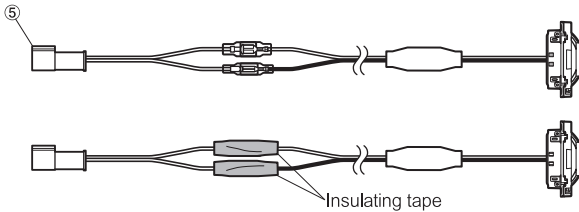


B : When using included bracket ⑨

- Align the protruding part of the tweeter bracket with the mounting position, then press until the tweeter is firmly secured.



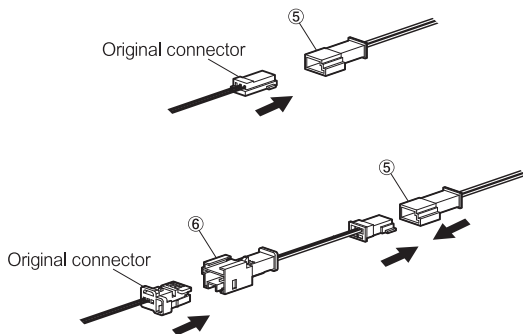
Select the connector according to the vehicle it will be installed on.



A : When using only the included connector ⑤

- Connect the included connector ⑤ to the tweeter cord.

- ⚠ Ensure the connection terminals are covered with an insulating cover. Secure the cover with insulating tape to prevent it from coming loose. Contact between the terminal and any metal part of the vehicle may cause fire or malfunction.

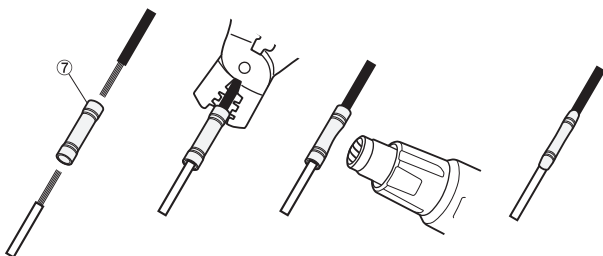


- Connect the included connector ⑤ to the original connector.

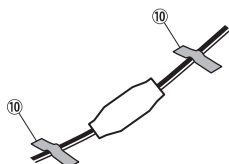
B : When using the included connector ⑥

- Connect the included connector ⑤ to the included connector ⑥, which is connected to the original connector.

※ If the included connector does not fit.



- Cut the wires on both the vehicle side and the tweeter side, and strip the insulation. Check the polarity before cutting.
- Insert the wires from the vehicle side and the tweeter side, with matched polarity, into the included wiring connector ⑦. Crimp the wires on the vehicle side and the tweeter side, and make sure they are securely connected.
- Heat the included wiring connector ⑦ with a heat gun and seal it.



- Secure the cord as needed using the included cushion ⑩.

■ Tweeter parts included

