

Q-SERIES COVERAGE INFORMATION

HOW TO INSTALL

TS-Q160C-FT / TS-Q160F-FT

Be sure to read this instruction manual before installing this speaker.

The following data is based on Pioneer's vehicle research and is provided as a guideline only.

These installation guidelines are intended to be strictly recommendations and are not complete installation instructions.

■ Speaker installation coverage

(Symbol)

✓	It is possible to install the speaker.
N/A	Installation is not possible or recommended.

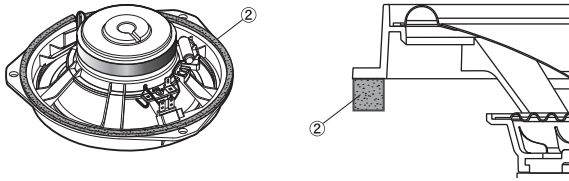
Information as of March 2026

MAKE	MODEL	MODEL YEAR	FRONT DOOR			REAR DOOR		
			TS-Q160C-FT	TS-Q160F-FT	Remarks	TS-Q160C-FT	TS-Q160F-FT	Remarks
ALFA ROMEO	Giulietta	2010 - 2020	✓	✓		✓	✓	
	MiTo	2008 - 2020	✓	✓		N/A	N/A	
FIAT	500	2007 - 2024	✓	✓		N/A	N/A	
	500L	2012 - 2022	✓	✓		N/A	✓	
	500e	2020 - present	✓	✓		N/A	N/A	
	Ducato	2006 - 2014	✓	✓		N/A	N/A	
	Ducato	2014 - 2021	✓	✓		N/A	N/A	
	Ducato8	2021 - present	✓	✓		N/A	N/A	
	Mobi	2016 - present	N/A	✓		N/A	N/A	
	Panda	2011 - present	N/A	✓		N/A	N/A	
Opel	Corsa E	2015 - present	✓	✓		N/A	N/A	
		2014 - 2019	✓	✓		N/A	N/A	

TS-Q160C-FT / TS-Q160F-FT

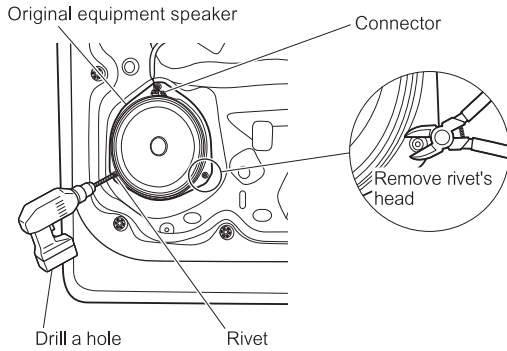
■ Woofer installation procedure

1. Preparation Before Installation



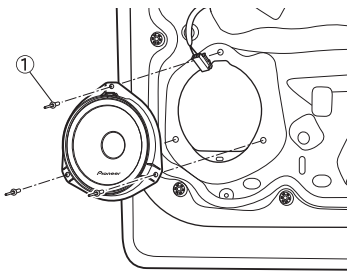
- Attach the included vibration-damping cushion ② to the back of the speaker.

2. Remove original equipment speaker

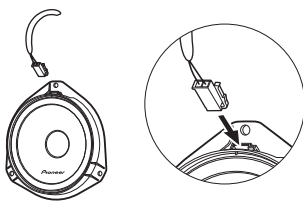


- Remove the original connector.
- Drill a hole in the center of the rivet or remove the head of rivet using the appropriate tool, then take the speaker out.
- ⚠ Removed rivets can not be reused.
To prevent abnormal noise, please collect any rivet fragments after removal.

3. Installing speaker



- Attach the speaker to the vehicle using the included rivets ①.
※Use a rivet fixing tool



- Connect the speaker to the original connector.

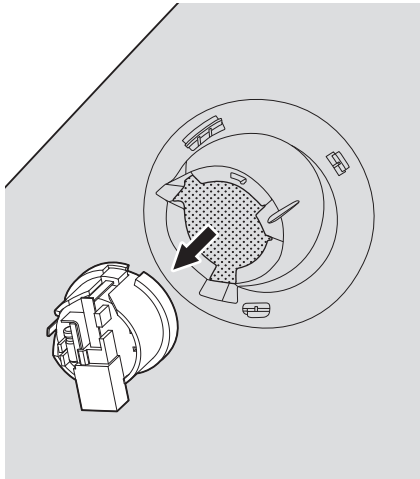
■ Woofer parts included



TS-Q160C-FT

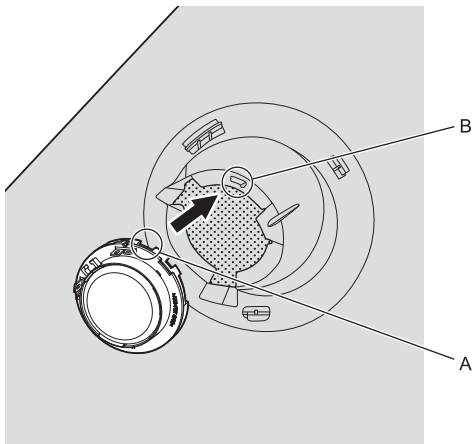
■ Tweeter installation procedure

1. Remove original equipment speaker

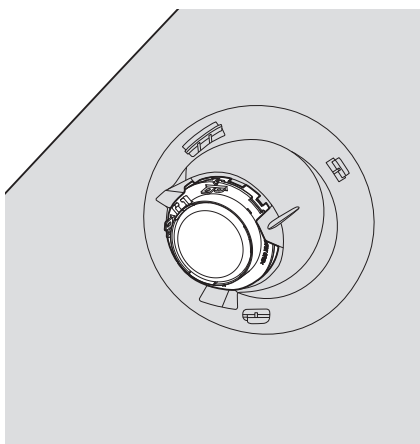


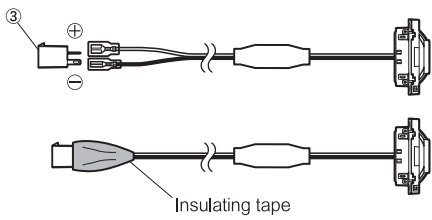
- Remove the original connector.
- Remove the original tweeter from its original mounting location.

2. Installing tweeter



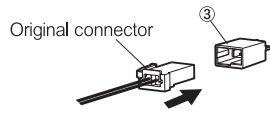
- Align groove A of the tweeter with protrusion B of the original mounting location, and push it in until the tweeter is securely fixed.



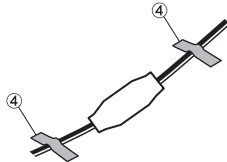


- Connect the included connector ③ to the tweeter cord.

⚠ Ensure the connection terminals are covered with an insulating cover. Secure the cover with insulating tape to prevent it from coming loose. Contact between the terminal and any metal part of the vehicle may cause fire or malfunction.



- Connect the included connector ③ to the original connector.



- Secure the cord as needed using the included cushion ④.

■ Tweeter parts included

③ ————— × 2

④ ————— × 1