

Q-SERIES COVERAGE INFORMATION

HOW TO INSTALL

TS-Q160C-FD / TS-Q160F-FD

Be sure to read this instruction manual before installing this speaker.

The following data is based on Pioneer's vehicle research and is provided as a guideline only.

These installation guidelines are intended to be strictly recommendations and are not complete installation instructions.

■ Speaker installation coverage

(Symbol)

✓	It is possible to install the speaker.
N/A	Installation is not possible or recommended.

Information as of March 2026

MAKE	MODEL	MODEL YEAR	FRONT DOOR			REAR DOOR		
			TS-Q160C-FD	TS-Q160F-FD	Remarks	TS-Q160C-FD	TS-Q160F-FD	Remarks
FIAT	124 Spider	2016 - 2019	✓	✓		N/A	N/A	
Ford	B-Max	2012 - 2017	✓	N/A		N/A	✓	
	Bronco Sport	2021 - present	✓	N/A		N/A	✓	
	C-Max	2010 - 2019	✓	N/A		N/A	✓	
	EcoSport	2014 - 2023	✓	N/A		N/A	✓	
	Edge I	2011 - 2014	✓	N/A		N/A	✓	
	Edge II	2014 - 2024	✓	N/A		N/A	✓	
	Endura	2014 - 2024	✓	N/A		N/A	✓	
	Endeavour II	2015 - 2022	✓	N/A		N/A	✓	
	Escape III	2013 - 2019	✓	N/A		N/A	✓	
	Escape IV	2020 - 2026	✓	N/A		N/A	✓	
	Everest II	2016 - 2021	✓	N/A		N/A	✓	
	Everest III	2022 - present	N/A	N/A	6"×9" size	✓	✓	
	Expedition IV	2018 - 2024	N/A	N/A	6"×9" size	✓	✓	
	Expedition Max	2018 - 2024	N/A	N/A	6"×9" size	✓	✓	
	Explorer V	2011 - 2019	N/A	N/A	6"×9" size	✓	✓	
	Explorer VI	2019 - present	N/A	N/A	6"×9" size	✓	✓	
	F-150	2015 - 2020	N/A	N/A	6"×9" size	✓	✓	
	F-150 Raptor II	2017 - 2020	N/A	N/A	6"×9" size	✓	✓	
	F-150	2021 - present	N/A	N/A	6"×9" size	✓	✓	
	F-250	2017 - 2022	N/A	N/A	6"×9" size	✓	✓	
	F-350	2017 - 2022	N/A	N/A	6"×9" size	✓	✓	
	F-450	2017 - 2022	N/A	N/A	6"×9" size	✓	✓	
	Fiesta VI	2009 - 2017	N/A	N/A		N/A	✓	
	Fiesta VII	2017 - present	✓	N/A		N/A	✓	
	Figo	2015 - 2021	N/A	✓		N/A	✓	
	Figo Aspire	2015 - 2021	N/A	✓		N/A	✓	
	Focus III	2011 - 2018	✓	N/A		✓	✓	
	Focus IV	2018 - 2022	✓	N/A		✓	✓	
	Focus IV Active	2018 - 2022	✓	N/A		✓	✓	
	Freestyle (India)	2018 - 2021	N/A	✓		N/A	✓	
	Fusion	2013 - 2020	✓	N/A		N/A	✓	
	Galaxy II (Mk III)	2006 - 2015	✓	N/A		N/A	✓	
Galaxy III (Mk IV)	2015 - 2023	✓	N/A		N/A	✓		
Ka+	2014 - 2020	N/A	✓		N/A	✓		
Ka Sedan / Urban	2014 - 2020	N/A	✓		N/A	✓		
Kuga I	2008 - 2013	N/A	N/A		N/A	✓		
Kuga II	2012 - 2019	✓	N/A		N/A	✓		

TS-Q160C-FD / TS-Q160F-FD

(Symbol)

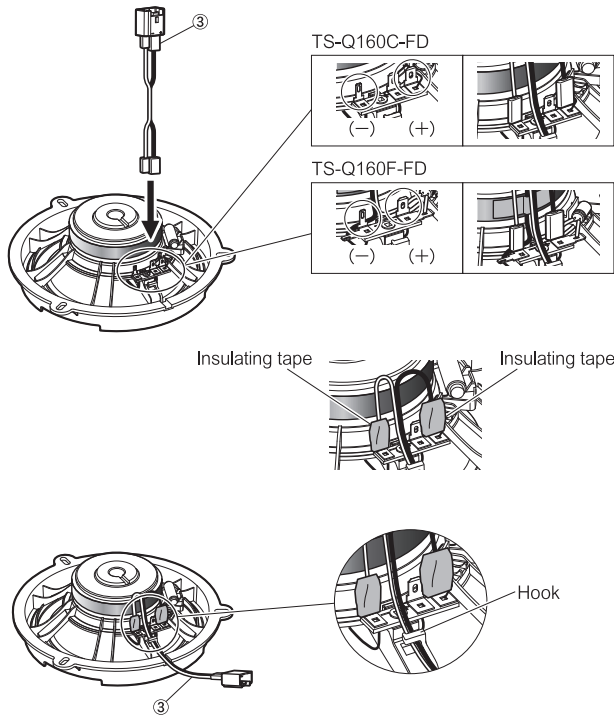
✓	It is possible to install the speaker.
N/A	Installation is not possible or recommended.

MAKE	MODEL	MODEL YEAR	FRONT DOOR			REAR DOOR		
			TS-Q160C-FD	TS-Q160F-FD	Remarks	TS-Q160C-FD	TS-Q160F-FD	Remarks
Ford	Kuga III	2019 - 2023	✓	N/A		✓	✓	
	Lobo	2015 - 2020	N/A	N/A	6"×9" size	✓	✓	
	Lobo	2021 - present	N/A	N/A	6"×9" size	✓	✓	
	Mondeo III	2007 - 2014	✓	N/A		N/A	✓	
	Mondeo IV	2014 - 2022	✓	N/A		N/A	✓	
	Mustang VI	2015 - 2023	N/A	N/A		N/A	✓	
	Mustang VI Convertible	2015 - 2023	N/A	N/A		N/A	✓	
	Mustang Mach-E	2021 - present	✓	N/A		N/A	✓	
	Puma	2019 - present	✓	N/A		N/A	✓	
	Ranger T6	2011 - 2022	✓	✓		N/A	✓	
	Ranger T6 SuperCab	2019 - 2022	✓	✓		N/A	✓	
	Ranger T6 SuperCrew	2019 - 2022	✓	✓		N/A	✓	
	Ranger T6 Single Cab	2019 - 2022	✓	N/A		N/A	N/A	
	Ranger T6 Raptor	2018 - 2022	✓	✓		N/A	✓	
	Ranger T6 II	2022 - present	N/A	N/A	6"×9" size	✓	✓	
	Ranger T6 II Raptor	2022 - present	N/A	N/A	6"×9" size	✓	✓	
	S-Max II	2015 - 2023	✓	N/A		N/A	✓	
	Territory	2018 - 2022	✓	N/A		N/A	✓	
	Tourneo Connect II	2012 - 2022	✓	N/A		N/A	✓	
	Tourneo Courier I	2014 - 2023	✓	N/A		N/A	N/A	
	Tourneo Custom I	2012 - 2023	✓	N/A		N/A	✓	
	Transit Connect II	2012 - 2022	✓	N/A		N/A	✓	
	Transit Courier I	2014 - 2023	✓	N/A		N/A	N/A	
Transit Custom I	2012 - 2023	✓	N/A		N/A	✓		
Transit Custom Nugget	2019 - 2023	✓	N/A		N/A	✓		
Transit Van	2012 - 2022	✓	N/A		N/A	N/A		
JAGUAR	E-Pace	2017 - 2024	N/A	N/A		N/A	✓	
	F-Pace	2016 - 2025	N/A	N/A		N/A	✓	
	I-Pace	2018 - 2024	N/A	N/A		N/A	✓	
	XE	2015 - 2024	N/A	N/A		N/A	✓	
	XF	2008 - 2011	N/A	N/A		N/A	✓	
LAND ROVER	Evogue	2011 - 2018	N/A	N/A		N/A	✓	
	Defender II	2019 - present	N/A	N/A		N/A	✓	
	Discovery Sport	2014 - present	N/A	N/A		N/A	✓	
Lincoln	Continental	2017 - 2020	N/A	N/A	6"×9" size	✓	✓	
	Navigator	2018 - 2021	N/A	N/A	6"×9" size	✓	✓	
	Nautilus	2018 - 2021	N/A	N/A	6"×9" size	✓	✓	
	MKT	2010 - 2019	N/A	N/A		N/A	✓	
	MKZ	2013 - 2020	N/A	N/A		N/A	✓	
	MKC	2015 - 2019	N/A	N/A		N/A	✓	
MAZDA	MAZDA 3 III	2013 - 2019	N/A	N/A		N/A	✓	
	MAZDA 6 III	2012 - 2015	N/A	N/A		N/A	✓	
	CX-3	2018 - 2021	N/A	N/A		N/A	✓	
	CX-5 I	2012 - 2017	N/A	N/A		N/A	✓	
	CX-5 II	2017 - 2025	✓	N/A		N/A	✓	
	CX-9 II	2016 - 2024	N/A	N/A		N/A	✓	
	MX-5 Miata	2015 - present	✓	N/A		N/A	N/A	
	BT-50 II	2011 - 2020	✓	N/A		N/A	✓	

TS-Q160C-FD / TS-Q160F-FD

■ Woofer installation procedure

1. Preparation Before Installation



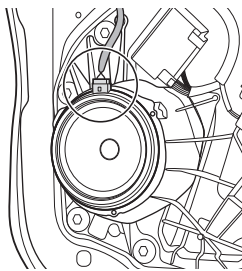
- Attach the included connector cord ③ to the speaker. The connection methods differ between TS-Q160C-FD and TS-Q160F-FD, so please refer to the diagram on the left.

⚠ Firmly insert the connector into the speaker terminal. After insertion, pulling out the connector may cause a malfunction. Check the connection points thoroughly before carrying out any work.

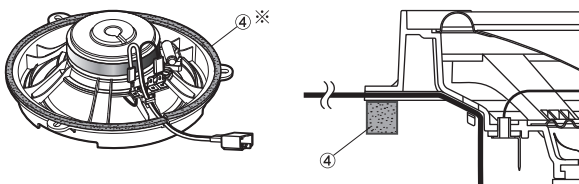
⚠ Ensure the connection terminals are covered with an insulating cover. Secure the cover with insulating tape to prevent it from coming loose. Contact between the terminal and any metal part of the vehicle may cause fire or malfunction.

- Attach the supplied connector cord ③ to the hook on the speaker basket and secure it in place.
- The method of attaching the cushion varies depending on the mounting position of the original connector.

Check how the original speaker cord is connected. The installation method for the next cushion varies depending on the position of the cord.



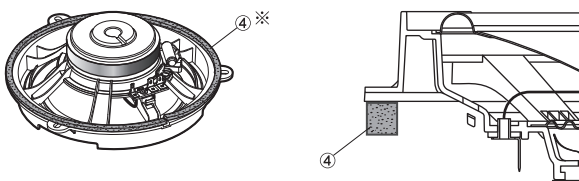
A : If the original speaker cord is exposed on the exterior of the vehicle body



- Align the cord along the groove of the speaker basket and attach the included vibration-damping cushion ④ on top of the cord.

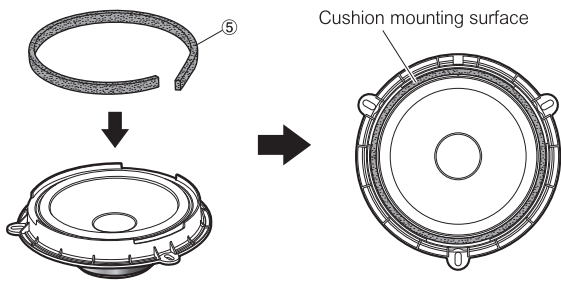
⚠ If the cord is aligned with the groove, gaps may form. In such cases, take additional steps to prevent air leaks and ensure the assembly is waterproof.

B : If the original speaker cord is not visible on the exterior of the vehicle body, it is connected to the speaker from inside the vehicle body.



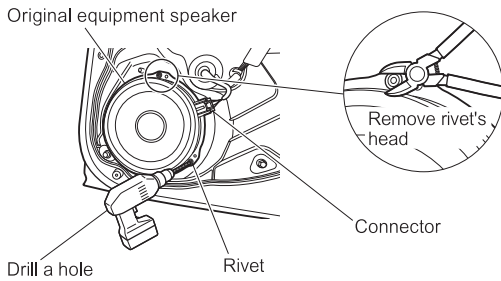
- Attach the included vibration-damping cushion ④ to the back of the speaker.

※ When fitting cushion ④, ensure the seam is positioned on top, as shown in the illustration on the left.



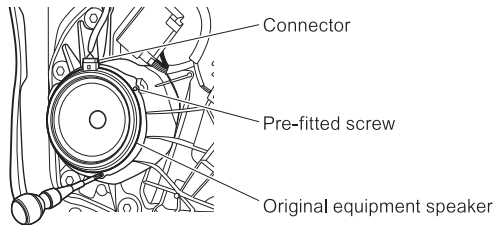
- Attach the cushion ⑤ to the front of the speaker.

2. Remove original equipment speaker



〈 In the case of using rivets 〉

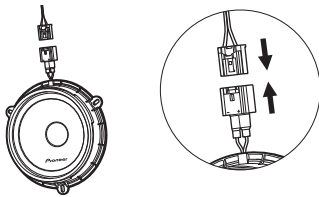
- Drill a hole in the center of the rivet or remove the head of rivet using the appropriate tool, then take the speaker out.
- ⚠ Removed rivets can not be reused.
To prevent abnormal noise, please collect any rivet fragments after removal.
- Remove the original connector.



〈 In the case of using screws 〉

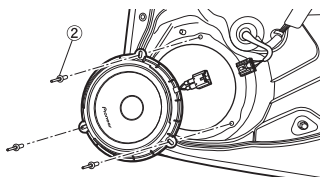
- After removing the pre-fitted screws with the appropriate tool, remove the speaker.
- Remove the original connector.

3. Installing speaker



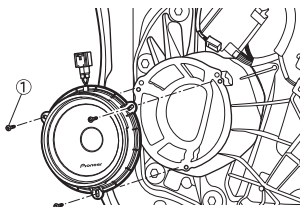
- Connect the speaker to the original connector.

When installing the speaker, use the pre-fitted screws or the included rivets ② or screws ①.



〈 In the case of using rivets 〉


- Attach the speaker to the vehicle using the included rivets ②.
※Use a rivet fixing tool



〈 In the case of using screws 〉

- Attach the speaker to the vehicle using the included screws ① or pre-fitted screws.

■ Woofer parts included

① $\phi 5 \text{ mm} \times 20 \text{ mm}$  × 6

②  × 6

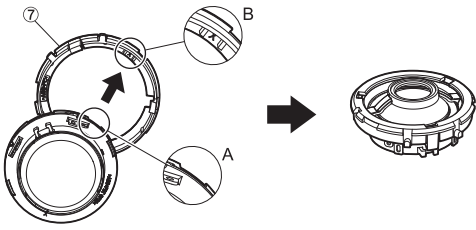
③  × 2

④  × 2

⑤  × 2

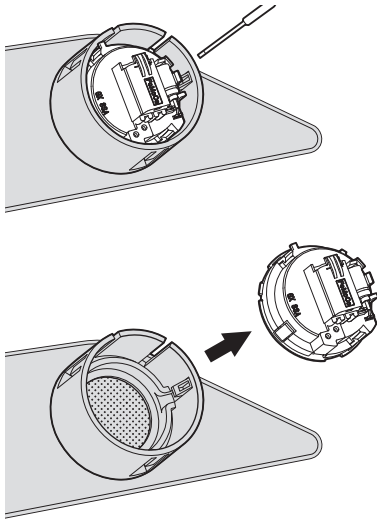
■ Tweeter installation procedure

1. Preparation Before Installation



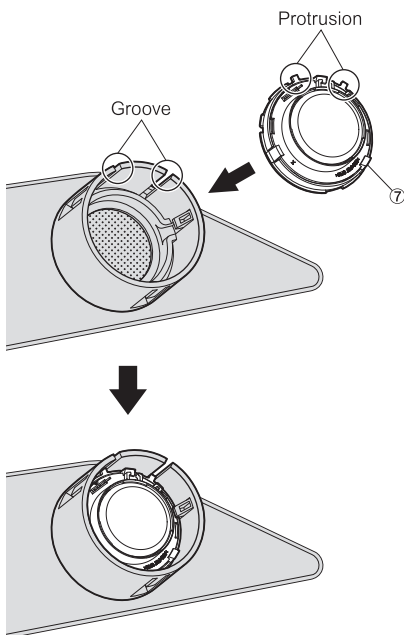
- Attach included bracket ⑦ to the tweeter. Align groove A of the tweeter with groove B of the bracket ⑦ and snap it into place.

2. Remove original equipment speaker

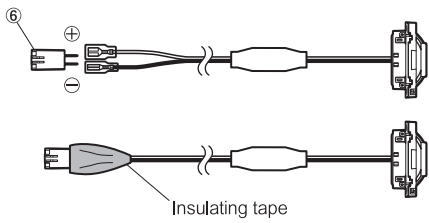


- Remove the original connector.
- Remove the original tweeter from its original mounting location.

3. Installing tweeter

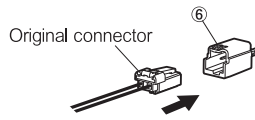


- Align the protrusion of the tweeter bracket ⑦ with the groove in the original mounting location, and push in until the tweeter is securely fixed.

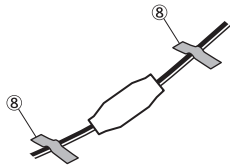


- Connect the included connector ⑥ to the tweeter cord.

⚠ Ensure the connection terminals are covered with an insulating cover. Secure the cover with insulating tape to prevent it from coming loose. Contact between the terminal and any metal part of the vehicle may cause fire or malfunction.



- Connect the included connector ⑥ to the original connector.




- Secure the cord as needed using the included cushion ⑧.

■ Tweeter parts included

⑥ —————  × 2

⑧ —————  × 1

⑦ —————  × 2